



XD120

LIGHT COMPACTION EQUIPMENT

XD120 light tandem rollers applicability covers compaction of bituminous and soil layers.

It's superior performance allows versatile use in maintenance and new construction projects.

With superior compaction properties, compact dimensions and excellent manoeuvrability XCMG – one of worlds leading manufacturers of road machinery, presents the ideal light compaction solution.

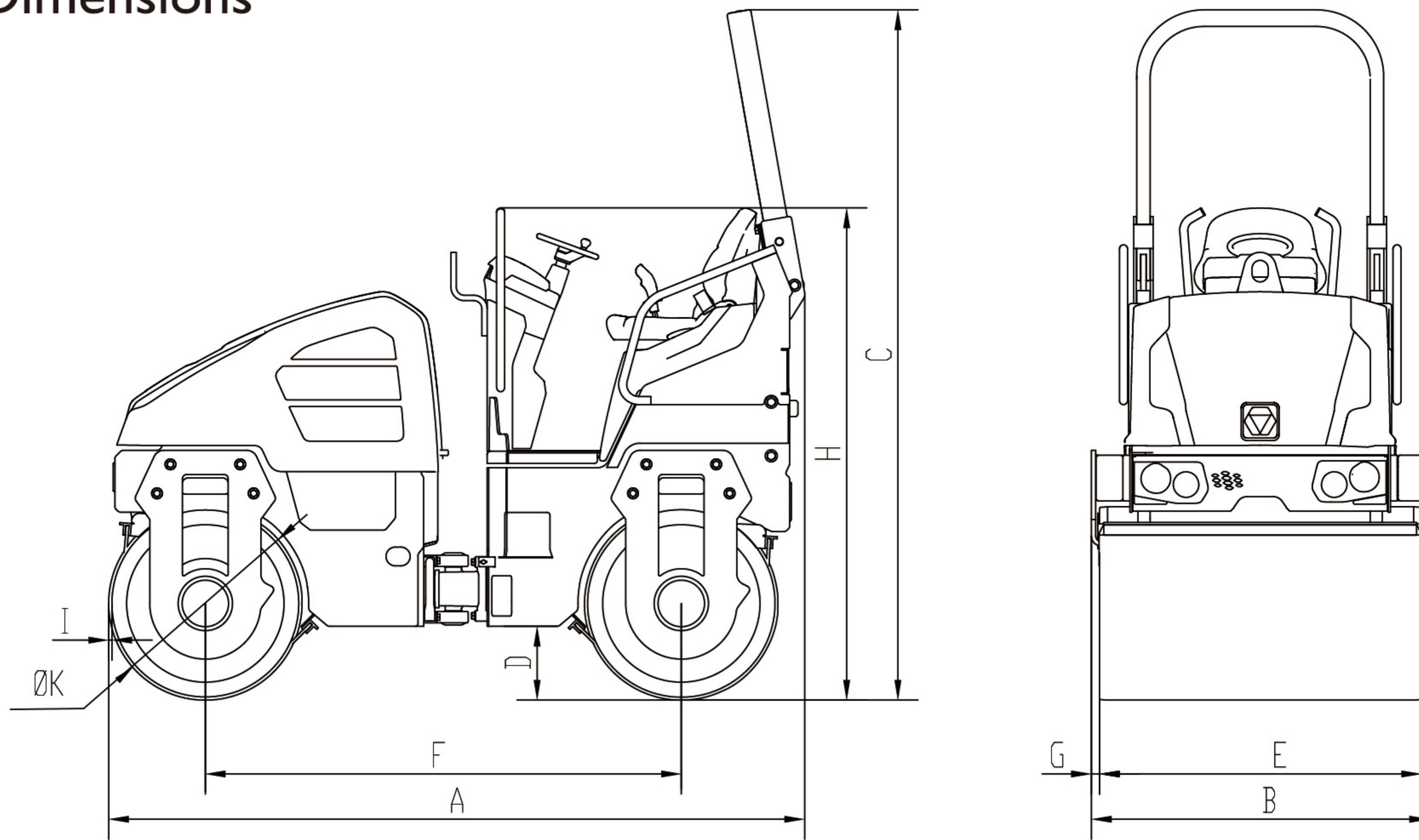
Performance characteristics

- **Compaction Properties**
 - Large diameter drum with two vibration frequencies
 - Pressurized, interval water spray
 - Excellent drum edge visibility
 - X-Comp ground stiffness indication (optional)
- **Environmental Protection**
 - EU-Stage 5 engine
 - Reduced engine speed
 - Low fuel consumption and noise emissions
 - Biodegradable hydraulic oil (optional)
- **Manoeuvrability and Maintainability**
 - Closed loop hydraulic propel system
 - High transport speed
 - Narrow turning radius, highest climbability
 - Anti-Slip device (optional)
 - Easy accessible maintenance points
- **Ergonomy and Safety**
 - Comfort seat (sliding optional)
 - Foldable ROPS (with additional worklights optional)
 - E-Stop Switch, seat occupation switch and seat belt
 - Multifunction propel control lever(dual side optional)

XD120

LIGHT COMPACTION EQUIPMENT

Main Dimensions



Unit:[mm]

	A	B	C	D	E	F	G	H	I	K
XD120	2565	1286	2575	275	1200	1773	42	1845	11	720

Main Specifications

Item and product model	Unit	XD120
Operating weight CECE	Kg	2700
Static load front drum	N/cm	110
Static load rear drum	N/cm	110
Amplitude	mm	0,5
Frequency	Hz	63 / 67
Vibration force	kN	36 / 41
Drum dimensions	mm	720 × 1200
Speed	km/h	0 ~ 10
Theoretical climbability	%	30
Minimum turning radius (inner / outer)	mm	2250 / 3450
Oscillation angle	°	± 8
Engine manufacturer		Kubota
Type		D1803-CR-E5B
Cooling		water
Emission stage		EU Stage5
Number of cylinder		3
Performance ISO 14396	kW	24.6
Performance SAE J 1995	hp	33.0
Rated engine speed	min-1	2400